

AT MICROFICHE
REFERENCE
LIBRARY

A project of Volunteers in Asia

Lightweight Seeder-Spreader
Popular Mechanics Plan No. 596

by: Clarence A. Martin

Published by:
Popular Mechanics
224 West 57th Street
New York, NY 10019 USA

Paper copies are \$ 0.50.

Available from:
Popular Mechanics Plans, Dept 77
Box 1004, Radio City
New York, NY 10019 USA

Reproduced from Popular Mechanics. (c) The Hearst
Corporation. All Rights Reserved.

Reproduction of this microfiche document in any
form is subject to the same restrictions as those
of the original document.

WOTM 53

Lightweight Seeder-Spreader

By Clarence A. Martin

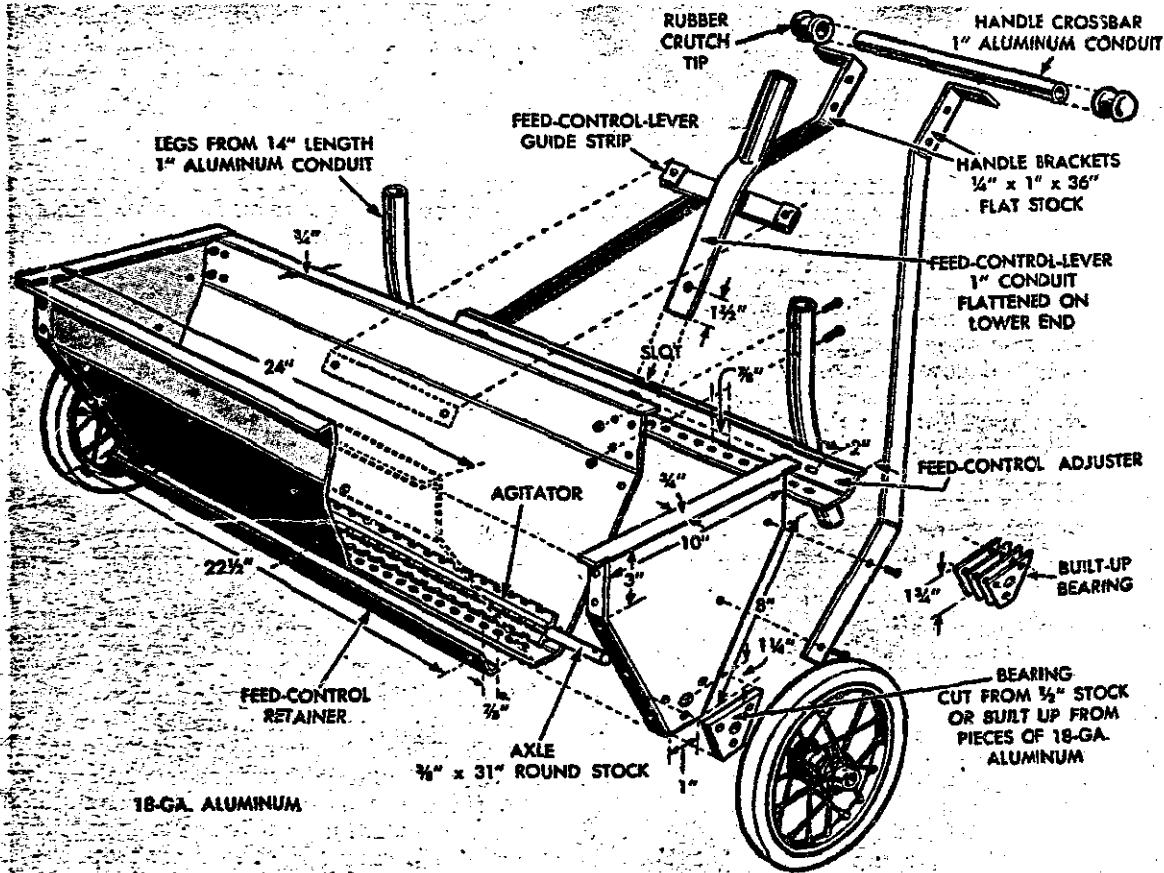
MADE MOSTLY of aluminum, this lawn seeder and fertilizer spreader is lightweight, rugged and has fairly large capacity. Wheels for the seeder can be from a discarded baby buggy, tricycle or other small-wheeled vehicle. An axle of $\frac{3}{8}$ -in. dia. is shown in the detail, but this dimension can be changed to suit the wheels.

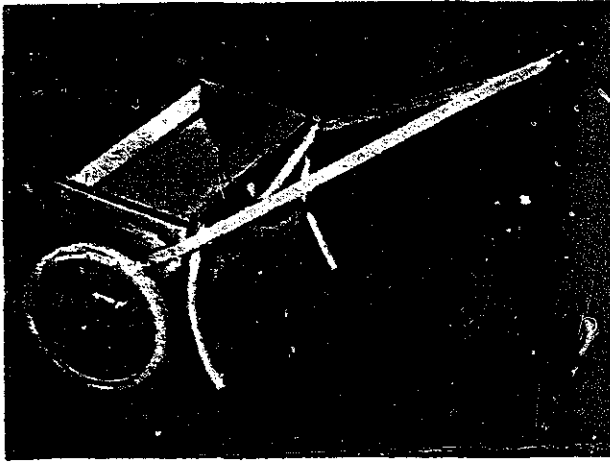
Two ends and the body of the seeder are cut and bent from 18-ga. sheet aluminum, with a $\frac{3}{4}$ -in. flange being bent on the edges of the end pieces and along the long edges of the body as shown in the details. The feed-control adjustment consists of an aluminum strip $2\frac{1}{2}$ x $22\frac{1}{2}$ in. long. Holes are drilled in this strip $\frac{3}{8}$ in. in dia. and spaced $\frac{7}{8}$ in. apart, $\frac{1}{16}$ in. from one edge. A bend there is made in this strip $\frac{7}{8}$ in. from the same edge, the angle matching that of the bottom of the feeder body. The opposite edge is bent in the opposite direction to provide a $\frac{1}{2}$ -in. flange, in which a slot is cut to accommodate the end of the feed-control lever. Three slots, $\frac{1}{4}$ x $\frac{3}{4}$ in., are cut in the bent strip so it can be moved

back and forth on three machine screws on the seeder body as indicated in the right-hand detail. After attaching the feed-control adjuster strip to the seeder body, move it to the "open" position and drill through the holes to provide corresponding holes in the bottom of the seeder body. An L-shaped strip now is bent and attached to the lower edge of the body front so that it supports the edge of the feeder control.

The agitator for the seeder is made from two 3 x 23-in. strips of 18-ga. aluminum, drilled and folded as indicated in the detail, then bent to a W-shape and screwed to the axle. Bearings for the axle are cut from $\frac{1}{2}$ -in. stock or built up from pieces of 18-ga. aluminum. The feed-control adjustment lever is a 12-in. length of 1-in. aluminum tubing that is hammered flat for all but 5 in. of its length. The $\frac{1}{4}$ -in. lever guide strip is shimmed at the ends.

Hold a metal scriber against the lever and swing it so the feed-adjustment goes from full-open to closed, and scribe an arc on the feeder body. Divide this arc into five

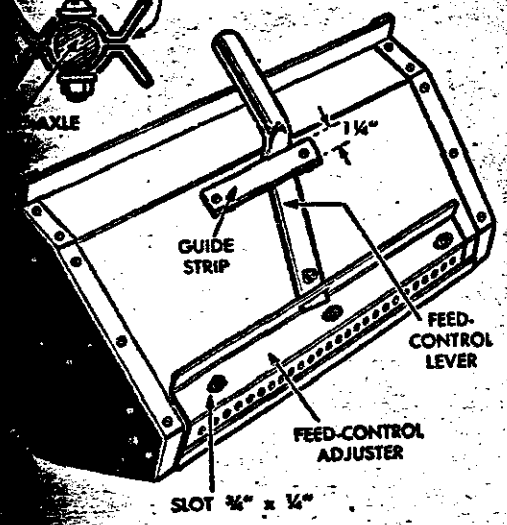
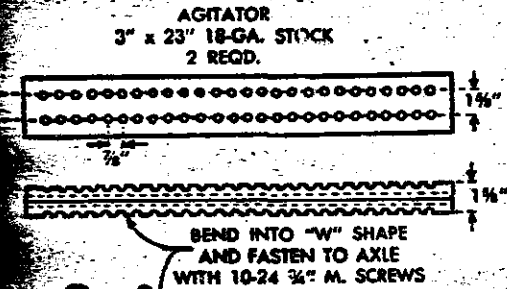




sections so that the feed-control table included in this article can be used to adjust the seeder to discharge the correct amount of material, whether it be seed, fertilizer or top dressing. When attaching the handle, which is shaped from aluminum flats, first drill the top holes in the body for the handle, then try various angles to determine a comfortable height before drilling the lower holes. ★ ★ ★

FEED-CONTROL TABLE

HOLE OPENING	GRASS SEED 1000 SQ. FT.	COMMERCIAL FERTILIZER 100 SQ. FT.	SALT, TOP DRESSING, LIME, ETC.
1/8	2 LB.	1 LB.	USE WIDE OPEN
3/8	2 1/2	2	
1/2	3	3	
5/8	5	4	
3/4	10	5	



Feed-control table above shows different feed adjustments to be made for distributing various types of materials with the spreader. Below, upper hole for attaching handle is drilled first, then handle position is checked for height before drilling the lower holes in the seeder ends

